

KAB//Seating



111 Seat

OVERVIEW

The KAB 111 Mid Back seat has been designed using our durable 100 series mechanical suspension suitable for small to medium sized vehicles



Suitable for Construction

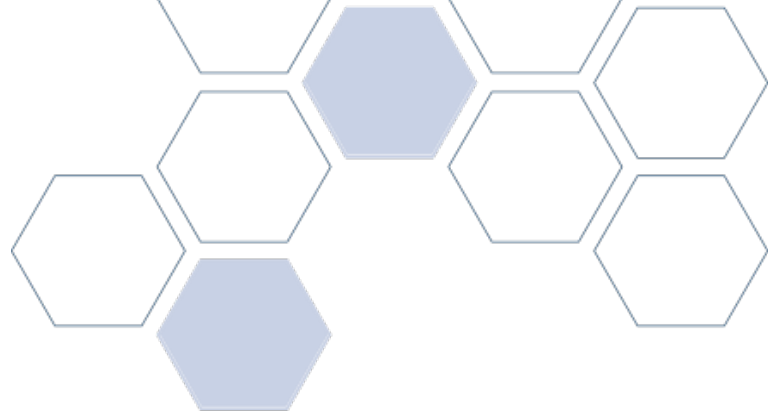


SPECIFICATION

Range	100 Series	Model	111	Backrest Height	Mid
Seat Cushion Depth and Tilt	Fixed	Trim Type	Fabric	Trim Colour	Black
Armrest	Yes	Suspension Type	Mechanical	Damper	Standard
F/A Adjustment	Yes	Control Position	Front	Floor Mounting Centres - Lateral	120
Floor Mounting Centres - Fore/Aft	230				

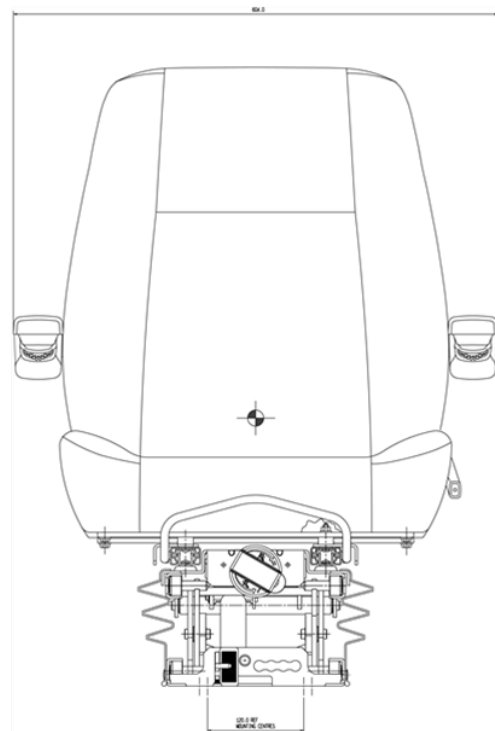
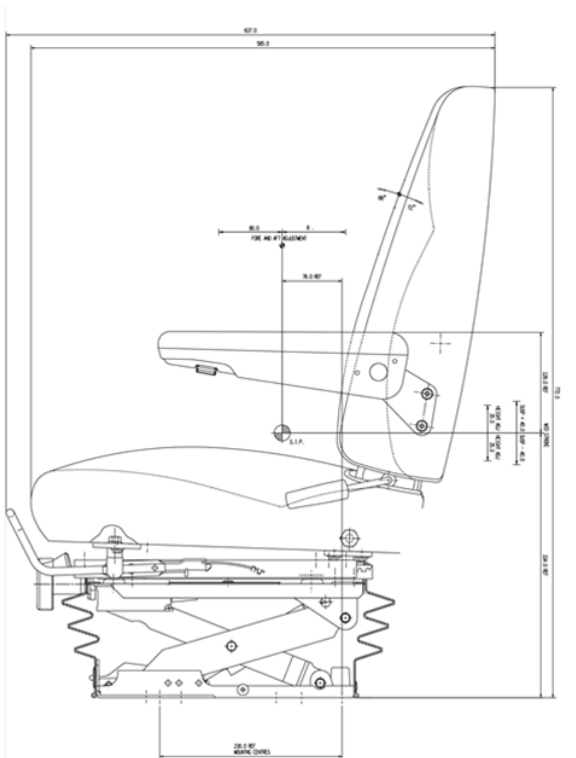
CONTACT YOUR NEAREST KAB SEATING DISTRIBUTOR FOR MORE INFORMATION

KAB//Seating



111 Seat

DIMENSIONS



CONTACT YOUR NEAREST KAB SEATING DISTRIBUTOR
FOR MORE INFORMATION

KAB Seating Ltd

Round Spinney
Northampton
NN3 8RS

T +44 (0) 1604 790500
F +44 (0) 1604 790155
E infouk@cvgrp.com