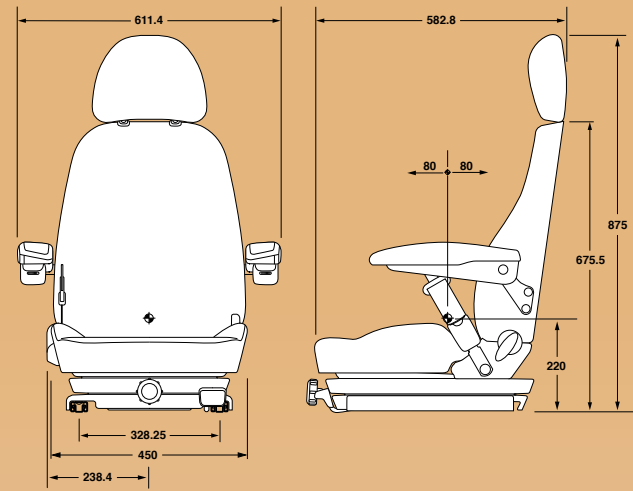
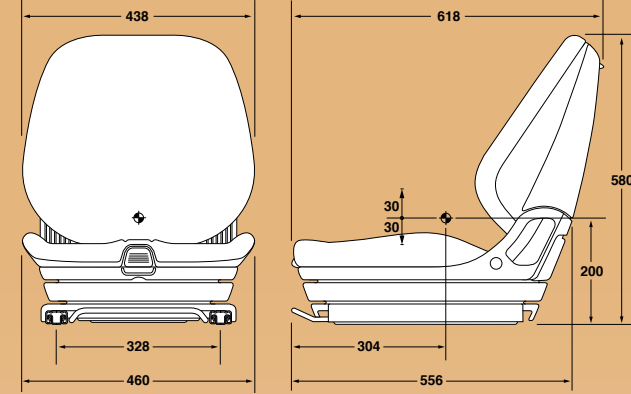


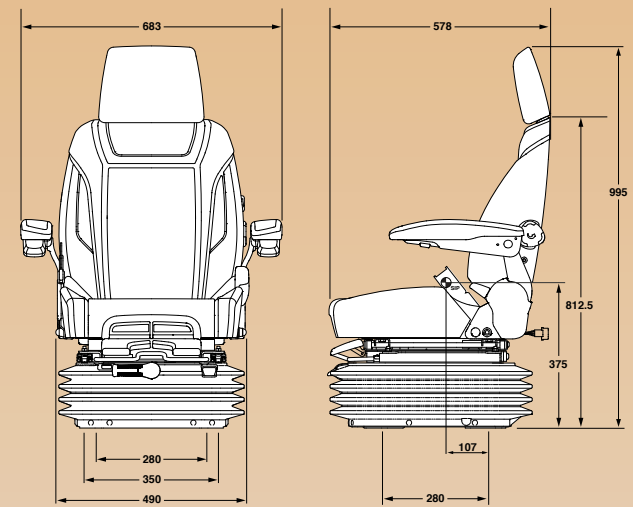
Technical Specifications



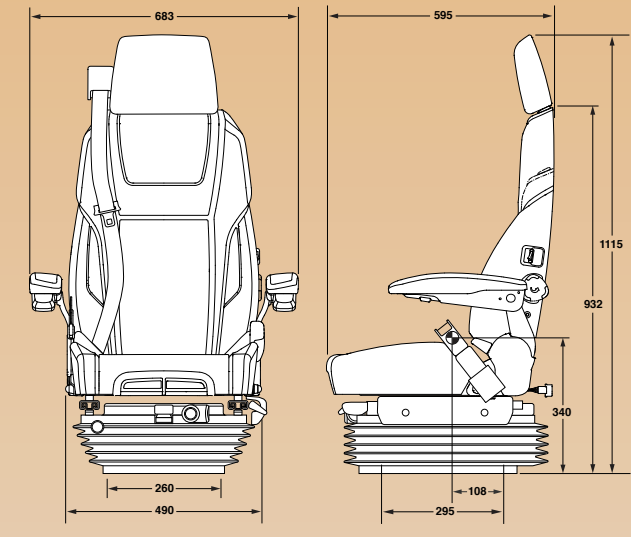
SENTINEL



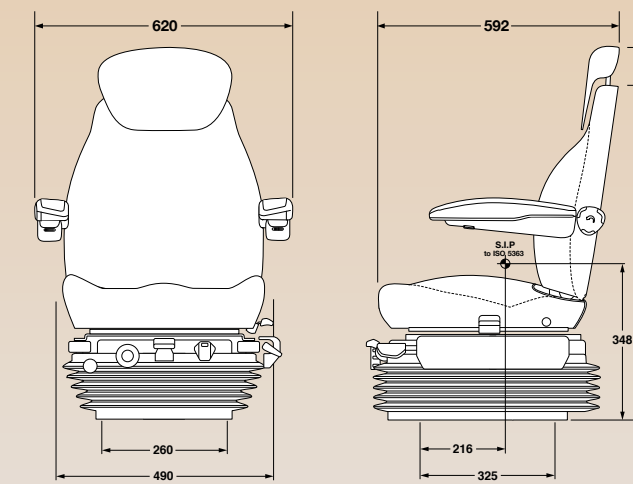
COMPACT



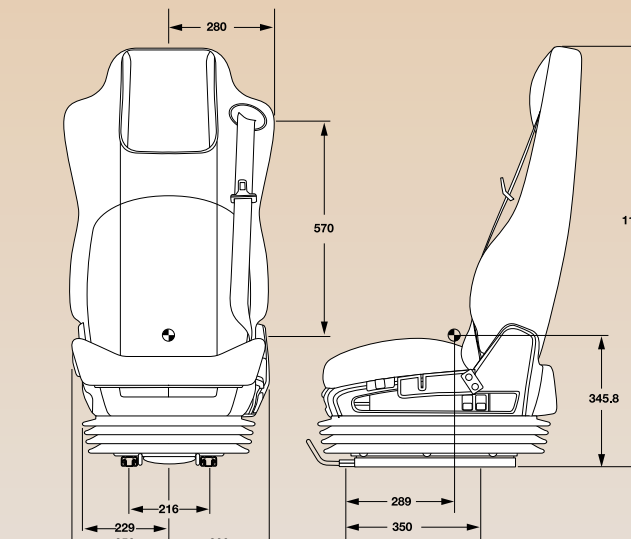
KAB 61/K1



86/K4



85/E1



GSX3000

For further access to KAB product diagrams please visit www.kabseating.com

Forklift Seating Standard Features and Optional Extras

Model	Part Number	RPL	Trim	Air 12 Volt	Air 24 Volt	Air 48 Volt	Manual Valve	Mechanical	Semi-Active	One Touch Riser	Variable Upstop	Adjustable Damper	Fore/Aft Isolator	Slidetrails	Heaters	Mechanical Lumbar	Air Lumbar	Electric Lumbar	Occupancy Sensor	Heat and Vent	Armrest	Headrest/Back Ext	Seat Belt Lap	3 Point Seat Belt	4 Point Seat Belt	Double Damper
Sentinel Mechanical	211512	-	PVC																							
Sentinel Mechanical	211513	-	Fabric/PVC																							
Sentinel Air	211514	-	Two Tone Fabric																							
Sentinel Air	211515	-	Leather/Fabric																							
Compact Mechanical	203120	2115	PVC																							
Compact Air	207605	2115	Fabric																							
Mechanical 61/K1	199451	1937/8/9	Fabric																							
Air 86/K4 HV	209852	2176	Fabric																							
Air 85/E1	207775	2126	Fabric																							
GSX3000	208829	-	Fabric																							
Invictus DRC	210229	-	Two Tone Fabric																							
11/E6	189192	1744	Fabric																							

Standard ● Option ●

Health and Safety

It is important that drivers of work vehicles are fully protected from harmful vibrations. KAB seats can eliminate up to 70% of these. Careful seat selection is important and through consultation with KAB Seating's network of Authorised distributors the appropriate seat choice can be made to fit most popular brands.

Installation

Care should be taken to ensure a correct installation is made and the seat suspension movements and adjustments are free from obstructions in the cab area.

Maintenance

KAB Seating provides a full range of service parts to ensure seats can be maintained properly, key wear items such as shock absorbers, seat cushions and air valves should be replaced on a regular basis in accordance with the type of usage, amount of usage and environmental factors. Regular removal of dust and dirt from the seat and cabin will improve the longevity of the seat.

KAB UK - Kab Seating Ltd - Northampton
Tel: +44 (0) 1604 641521 E-mail: infouk@cvgrp.com
www.kabseating.com

KAB Sweden - Kab Seating AB - Stockholm
Tel: +46 (0) 8 554 427 00 E-mail: infosweden@cvgrp.com

KAB Belgium - Kab Seating SA - Saintes
Tel: +32 (0) 2 367 13 10 E-mail: infobelgium@cvgrp.com

KAB France - Sales Office - Chatillon, Paris
Tel: +33 (0) 1 40 92 97 40 E-mail: infofrance@cvgrp.com

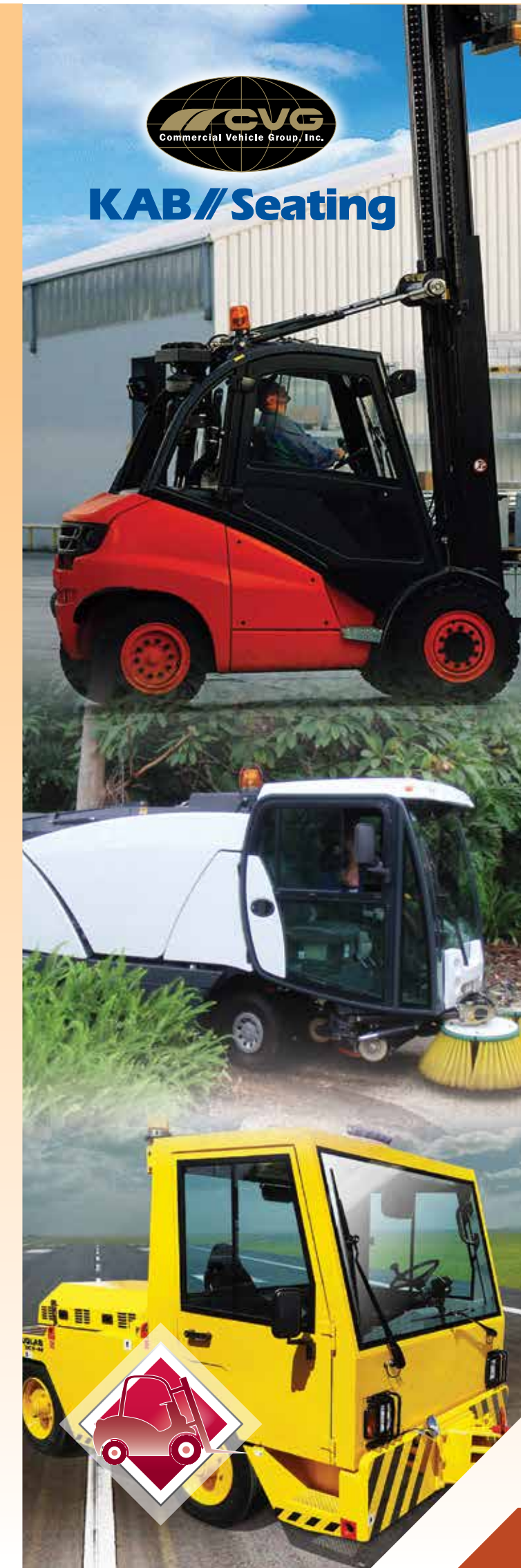
KAB Australia - Kab Seating Pty. Ltd - Brisbane
Tel: +61 (0) 7 3344 0500 E-mail: infoaustralia@cvgrp.com

CVG China - CVG Vehicle Components - Shanghai
Tel: +86 21 5958 5801 E-mail: infochina@cvgrp.com

CVG World Headquarters - New Albany, Ohio, USA
Tel: (614) 289-5360 E-mail: info@cvgrp.com
www.cvgrp.com

CVG National Seating USA - Vonore, Tennessee
Tel: +1 800 354 9621 E-mail: infoamerica@cvgrp.com

Distributor



KAB//Seating

NEW
PRODUCTS &
FEATURES INSIDE

**FORKLIFT AND
INDUSTRIAL
SEATING**



Check our website for updates
www.kabseating.com

Discover the KAB range at
www.YouTube.com/KAB_SeatingUK

Follow the latest news on
Twitter@KAB_SeatingUK

For more information scan here



enter the comfort zone

CVG KAB//Seating



The latest KAB Seating range of air and mechanical suspension seats are suitable for :

- ▶ **Forklift Trucks**
- ▶ **Airport Tow Trucks**
- ▶ **Baggage Trucks**
- ▶ **Road Sweepers**
- ▶ **Harbour Trucks**
- ▶ **Container Handlers**
- ▶ **Telescopic Handlers**

LB LOW BACK MB MEDIUM BACK HB HIGH BACK

These suspension seats offer drivers improved comfort and protection from harmful vibrations in their working environment and they fit most popular vehicle brands in the Forklift and Industrial sector.

The following comfort and safety options are also available:

- 20° left/right swivel device
- Seat Belts
- Armrests
- Backrest extensions
- Lumbar support
- Fore and aft isolators (800/100 series)
- Heating elements (12v,24v or 48v)
- Headrests
- OTR - One touch riser (800 Air)
- Height adjustment systems
- Seat sensor switch
- Fabric or PVC trims
- 12v, 24v and 48v compressors (800)

For small forklift trucks and work vehicles with limited cab space, KAB seats offer a low SIP suspension with highline seat cushion providing effective protection for drivers.

In larger vehicles, suspension seats with a longer, 100mm stroke and deeper cushions are also available.

A full range of replacement parts are available for KAB seats which is an important factor to ensure 'safe seating' for drivers.

We are proud to announce the launch of the new Sentinel range which is suitable for Material Handling and Small Construction vehicles.

The range has been designed with user safety and comfort in mind, with easy to use features which maintain user productivity in hard-working environments.

Sentinel Mechanical

- 12v or 48v integral compressor
- Fabric or PVC trims
- Low profile mechanical suspension
- A range of available options including seatbelt kit, headrest/backrest extension, armrests
- Heater and lumbar support

Base Version

- Black fabric/PVC trim
- 60mm suspension stroke
- Sensors

Standard Version

- Black PVC trim
- 60mm suspension stroke
- Sensors ■ Heaters



Sentinel Air

- 12v or 48v integral compressor
- Fabric or PVC trims
- Low profile air suspension
- A range of available options including seatbelt kit, headrest/backrest extension, armrests
- Heater and lumbar support

Premium Version

- Two tone fabric
- Air 60mm autoride suspension
- Sensors ■ Heaters

Deluxe Version

- Fabric and fabric trim
- Air 60mm autoride suspension ■ Sensors
- Heaters ■ Lumbar ■ Document Pouch



Compact Air

- Air Compact low frequency suspension
- Compact integral upper
- Optional 2" recoil seat belt
- 40, 60 or 80mm suspension stroke
- Driver weight range 50-150kg
- 12v or 24v integral compressor
- Air seat weight <22kg
- Fabric/PVC trim



Compact Mechanical

- Mechanical Compact low frequency suspension
- Compact integral upper
- Optional 2" recoil seat belt
- 40, 60 or 80mm suspension stroke
- Driver weight range 50-140kg
- Air seat weight <25kg
- Fabric/PVC trim



Air 85/E1

- Air 85 low frequency suspension
- Mid back E1 upper
- Optional 2" seat belt
- 175mm suspension stroke
- 75mm integral height adjustment
- Driver weight range 50-120kg
- 12v integral compressor
- One touch riser
- Swivel
- Fore and aft isolator
- Mechanical lumbar



MB



Air 86/K4

- Air 86 suspension
- High back K4 upper
- Optional 2" seat belt
- 175mm suspension stroke
- 75mm integral height adjustment
- Driver weight range 80-150kg
- Swivel
- Fore and aft isolator
- Mechanical lumbar



HB



Mechanical 61/K1

- Mechanical 61 low frequency suspension
- Mid back K1 upper
- Optional 2" seat belt
- 160mm suspension stroke
- 60mm integral height adjustment
- Driver weight range 50-175kg
- Seat belt



MB



Air GSX3000

- Air suspension with memory
- High back
- Integrated seat belt
- 190mm suspension stroke
- 120mm integral height adjustment
- Driver weight range 50-150kg
- 12v heater elements
- Express lowering valve
- Seat cushion extension
- Shock adjustment
- Air seat weight 39kg



HB



Invictus DRC

- Air 85 suspension
- Air ventilation system
- Heaters
- Semi-active suspension
- 175mm suspension stroke
- Driver weight range 50-120kg
- Fore and aft isolator
- 120mm integral height adjustment
- Adjustable damper
- Swivel control
- Seat length adjustment
- Seat tilt adjustment
- One touch riser



MB



11/E6 Mechanical

- Mechanical suspension
- Low back E6 upper
- Optional 2" recoil seat belt
- 80mm-150mm suspension stroke
- Driver weight range 50-120kg



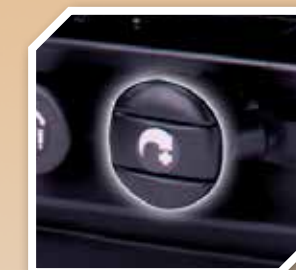
LB



Range Features



Lumbar Switch (GSX 3000)



Weight Adjuster (800)



Semi Active Switch (Invictus DRC)



Fore and aft Isolator (800)



Mechanical Lumbar



Slide Rail Adjuster (KAB type)



Seat Belts



Recliner



Air Valve (85)



One Touch Riser (OTR) (800 Air)



Ride Indicator (800)



Variable upstop (800)