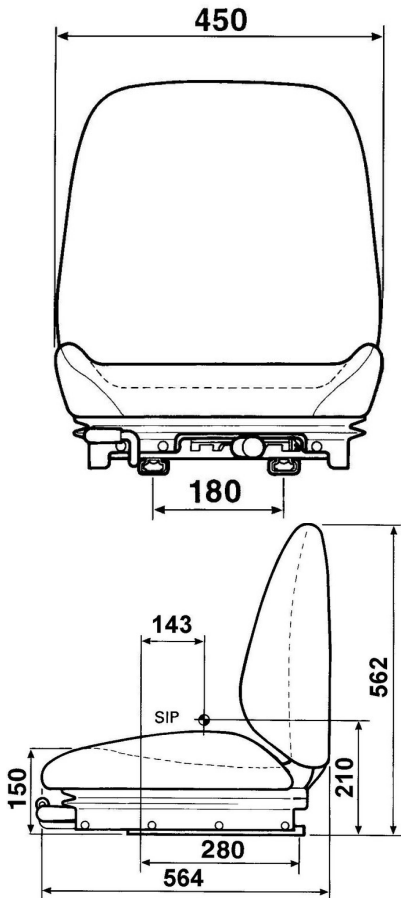




KAB 214

SPECIFICATION SHEET

CAPITALseating



Standard Features:

- 50mm vertical suspension stroke
- 5 step adjustment for driver weight from 50-120Kg
- Fore and aft adjustment – 195mm
- Fixed backrest
- Black PVC trim
- Suspension cover

Options:

- Static or retractable lap belt
- Adjustable pivoting armrests
- Hip guards
- Sensor pad
- Microswitch
- Backrest angle adjustment
- Seat tilt of 3° (2 positions)
- Double locking slide rails (meets ISO 6683)
- Range of fabric or PVC trims – including *Anti-Static* vinyl

Specification based on part no. 178764 – standard and optional features on other models of the 214 mav varv.

Unit 1, Forward Park, Sheene Road, Leicester,
LE4 1BF, United Kingdom
Tel: +44 (0)116 216 9910
Web: www.capitalseating.co.uk
Email: sales@capitalseating.co.uk