

KAB//Seating



514C Seat With 4pt Seat Belt

OVERVIEW

The 514C seat is ideal for fitment into large industrial vehicle applications. With its heavy duty mechanical suspension, users can manually adjust the seat for their requirements. This seat also features a 4 point belt harness for added operator security.

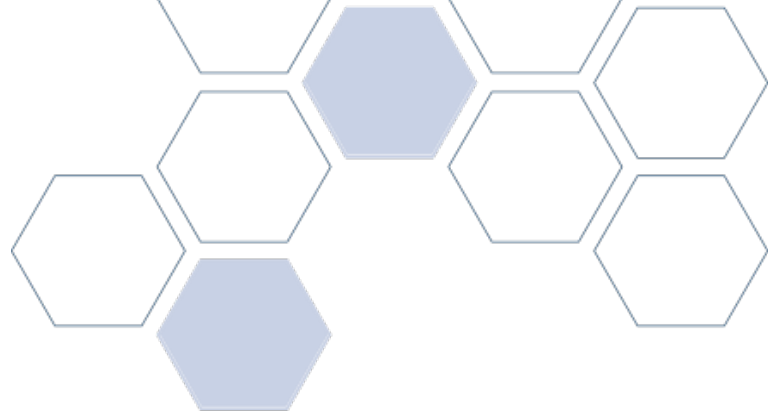


SPECIFICATION

Range	500 Series	Model	514C	Backrest Height	High
Seat Cushion Depth and Tilt	Fixed	Trim Type	Fabric/PVC	Trim Colour	Black
Seat Belt	Yes	Seat Belt Type	4pt	Lumbar	Yes
Lumbar Type	Air	Suspension Type	Mechanical	Height Riser	Yes
Damper	Standard	F/A Adjustment	Yes	Control Position	Front
Floor Mounting Centres - Lateral	280	Floor Mounting Centres - Fore/Aft	280		

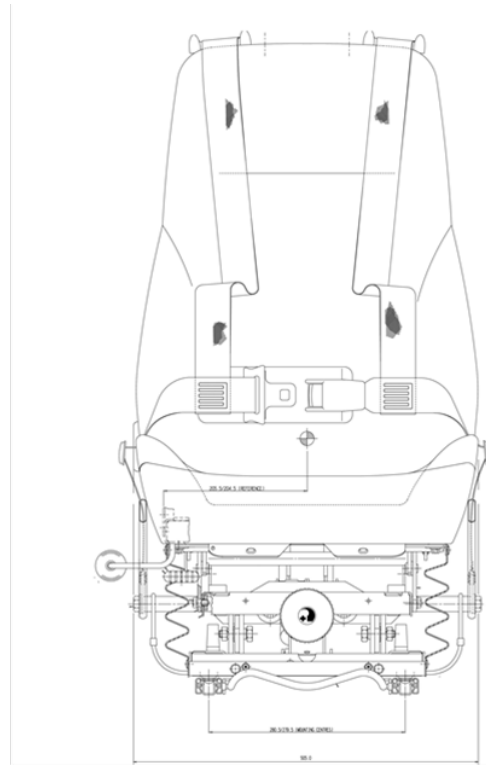
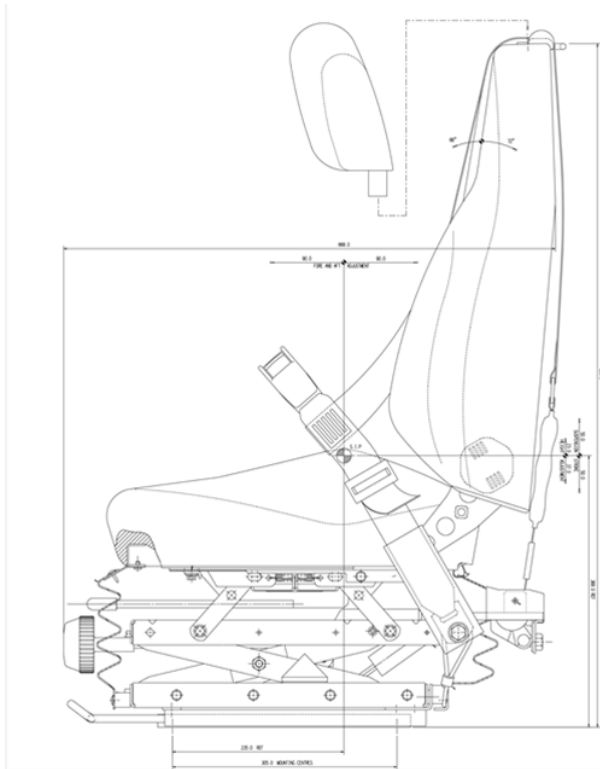
CONTACT YOUR NEAREST KAB SEATING DISTRIBUTOR FOR MORE INFORMATION

KAB//Seating



514C Seat With 4pt Seat Belt

DIMENSIONS



CONTACT YOUR NEAREST KAB SEATING DISTRIBUTOR
FOR MORE INFORMATION

KAB Seating Ltd

Round Spinney
Northampton
NN3 8RS

T +44 (0) 1604 790500
F +44 (0) 1604 790155
E info@kabseating.com