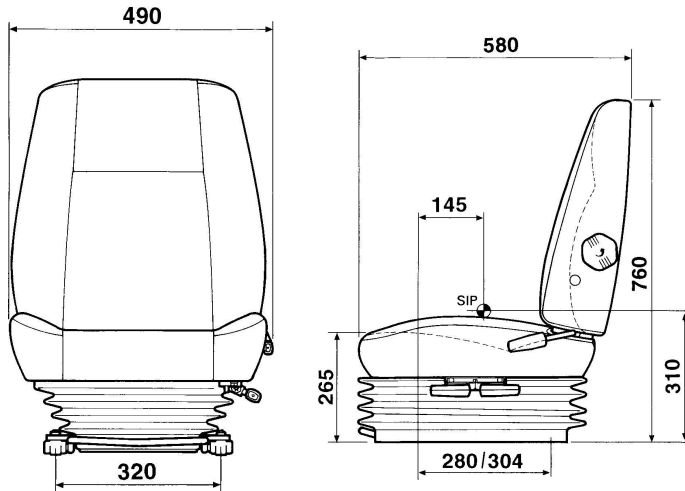




# KAB 711

## SPECIFICATION SHEET

**CAPITAL**seating



The KAB 711 has a self-levelling AIR suspension with double acting hydraulic dampers.

### Standard features:

- 100mm vertical air suspension stroke
- Automatic adjustment for driver weight from 50-120Kg
- 60mm seat height and tilt adjustment
- Lumbar support
- Backrest angle adjustment
- Fore and aft adjustment – 160mm
- Brackets to alter slide rail mounting centres to 216/255/280/305mm
- Suspension cover

### Options:

- 75mm vertical air suspension stroke
- Adjustable pivoting armrests
- Static or retractable lap belt
- Headrest
- Front controls
- Suspension lockout
- Range of high quality fabric or PVC trims

Specification based on part no. 150644 – standard features and options on other models of the 711 may vary.

Unit 1, Forward Park, Sheene Road, Leicester,  
LE4 1BF, United Kingdom  
Tel: +44 (0)116 216 9910  
Web: [www.capitalseating.co.uk](http://www.capitalseating.co.uk)  
Email: [sales@capitalseating.co.uk](mailto:sales@capitalseating.co.uk)