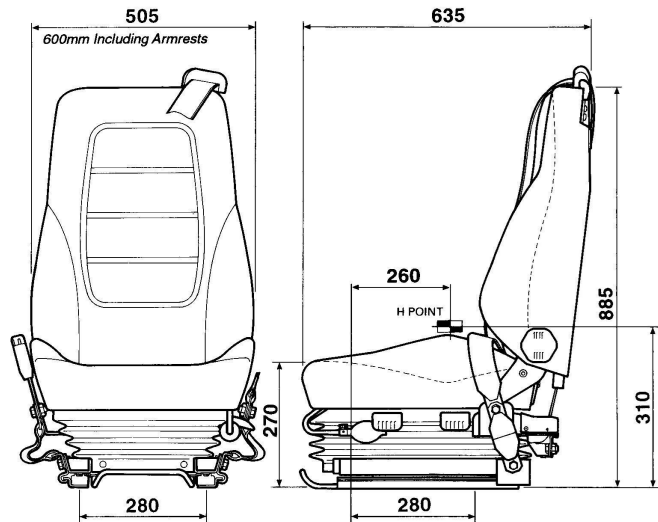




KAB 714B

SPECIFICATION SHEET

CAPITALseating



The KAB 714B is a self-levelling air suspension seat with double acting hydraulic damper incorporating a 3-point seat belt.

Standard Features:

- Integral 3-point seat belt
- 75mm vertical air suspension stroke
- Automatic adjustment for driver weight from 50-120 Kg
- 100mm seat height and tilt adjustment
- Continuous backrest angle adjustment
- Fore and aft adjustment – 160mm
- Pneumatic lumbar support
- Suspension cover

Options:

- Adjustable pivoting armrests
- Headrest

Unit 1, Forward Park, Sheene Road, Leicester,
LE4 1BF, United Kingdom
Tel: +44 (0)116 216 9910
Web: www.capitalseating.co.uk
Email: sales@capitalseating.co.uk