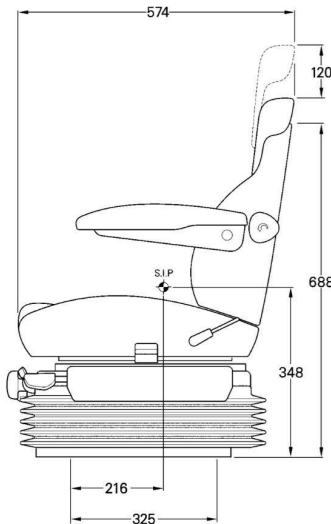
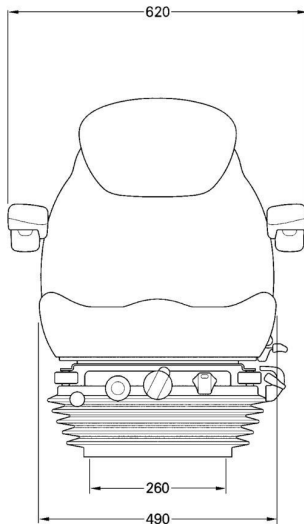




# KAB 81/E6

## SPECIFICATION SHEET

**CAPITAL**seating



SIP to ISO 5353. Dimensions at mid suspension stroke, middle height adjustment and at mid slide rail adjustment.

### Standard Features:

- 175mm vertical suspension stroke with integral 75mm height adjustment
- Adjustment for driver weight from 50-120Kg
- Swivel -  $\pm 10^\circ$  and  $\pm 20^\circ$
- Horizontal suspension
- Variable up-stop
- Fore and aft adjustment – 160mm
- Lumbar support
- Integrated backrest extension
- Backrest angle adjustment
- Armrests
- Seat tilt adjustment – 3 positions
- Suspension cover
- Breeze velour fabric

### Options:

- Variable damper
- Static or retractable lap belt
- Waterproof protective seat cover

Specification based on part no. 183785 – standard and optional features on other models of the 81/E6 may vary.

Unit 1, Forward Park, Sheene Road, Leicester,  
LE4 1BF, United Kingdom  
Tel: +44 (0)116 216 9910  
Web: [www.capitalseating.co.uk](http://www.capitalseating.co.uk)  
Email: [sales@capitalseating.co.uk](mailto:sales@capitalseating.co.uk)