

NEW PRODUCT



KAB//Seating

THE KAB 83/E1

The KAB 83/E1 provides a new heavy duty alternative to the 300 Series range and is available in a PVC or Fabric trim.

It has been designed to offer reliability and protection against harmful vibrations over rugged environments and heavy duty machine applications.

Suitable for a range of applications including Marine, Mining, Construction and Forklift.

Features a reinforced suspension with heavy duty levers which has been tested on original equipment machinery from excavators to bulldozers and mining vehicles.

130mm Suspension stroke

60mm integral height riser.

See reverse for more details.





KAB 83E1 (pn 210874) in Storm Fabric comes with:

- Backrest extension
- Comfort armrests
- Mechanical lumbar
- 2" retractable seat belt



KAB 83E1 (pn 210400) in Black Breathable PVC comes with:

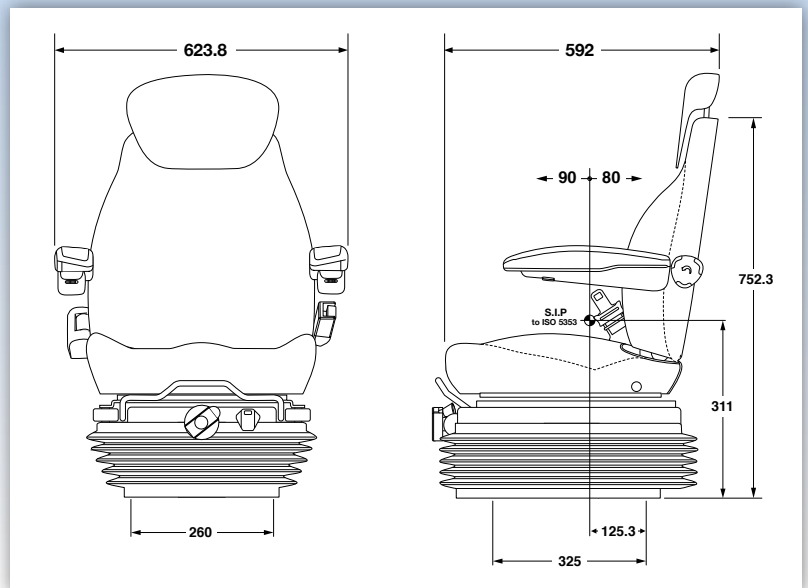
- Backrest extension
- Comfort armrests
- Mechanical lumbar
- 2" retractable seat belt

Please note that adaptor brackets for the 800 series are available to fit onto the original mountings for 300 series seats for the following centres:

280mm centres– pn 193314

320mm centres– pn 182174

Also please note that other alternatives are available.



Distributor

