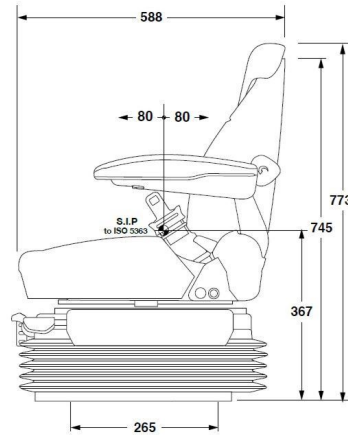
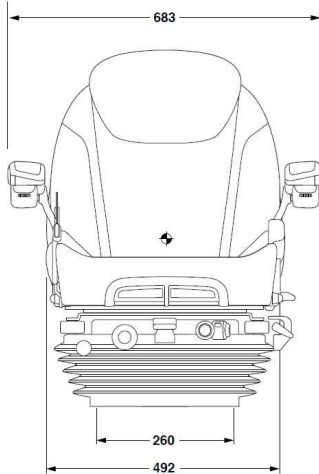




KAB 85/K6 Invictus

SPECIFICATION SHEET

CAPITALseating



85/K6 Invictus LS Specifications:

- 175mm vertical suspension stroke with integral 75mm height adjustment
- Adjustment for driver weight from 50-120Kg
- Horizontal suspension
- Variable up-stop
- Fore and aft adjustment – 160mm
- Lumbar support
- Seat base tilt and slide adjustment
- Backrest angle adjustment
- Operator presence switch
- Armrests
- Seat tilt adjustment – 3 positions
- Suspension cover
- EEC type approved classes I/II/III

85/K6 Invictus HS Specifications:

- All above options
- $\pm 20^\circ$ swivel for rear viewing
- Fore/aft isolator
- Backrest extension
- Seat heating & Ventilation

85/K6 Invictus DRC Specifications:

- All above options
- Semi-active suspension

Unit 1, Forward Park, Sheene Road, Leicester,
LE4 1BF, United Kingdom
Tel: +44 (0)116 216 9910
Web: www.capitalseating.co.uk
Email: sales@capitalseating.co.uk