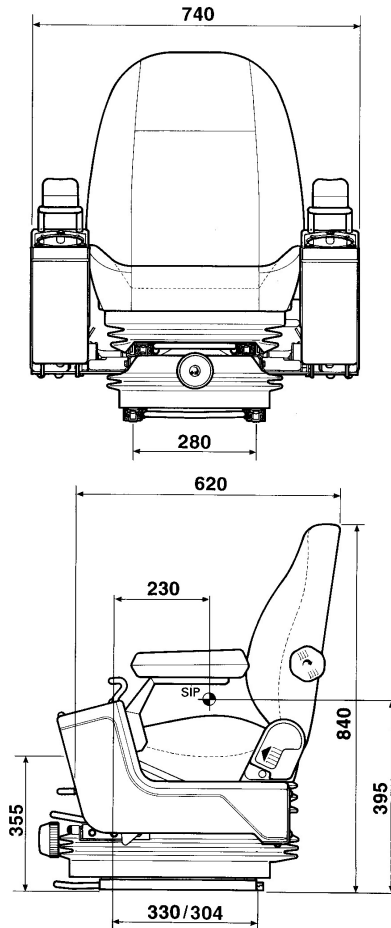




KAB 525P

SPECIFICATION SHEET

CAPITALseating



Standard features:

- Moulded control pods to carry hydraulic or electrical control joysticks
- 100mm vertical suspension stroke
- Manual weight adjustment for driver weight from 80-150kg
- 60mm height and tilt adjustment
- Fore and aft adjustment – 200mm
- Backrest angle adjustment
- Lumbar support
- Lava grey fabric trim
- Control pod height adjustment – 50mm
- Seat fore and aft adjustment – 160mm (relative to control pods)
- Control pod armrest height adjustment 40mm (relative to joystick)
- Fore and aft adjustment – 160mm

Options:

- Headrest
- Static or retractable lap belt
- Double damper for heavy duty applications

Unit 1, Forward Park, Sheene Road, Leicester,
LE4 1BF, United Kingdom
Tel: +44 (0)116 216 9910
Web: www.capitalseating.co.uk
Email: sales@capitalseating.co.uk